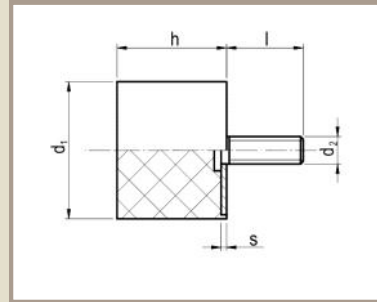


1



- Galvanized
- 40 - +80 °C
- RoHS

2

3

4

5

d <sub>1</sub>	h			d <sub>2</sub>	l		
3/8"	1/2"			UNC8-32	1/2"		
9/16"	1/2"			UNF10-32	3/8"		
5/8"	1/2"			UNC8-32	1/2"		
3/4"	3/4"			UNC1/4-20	1/2"		
1"	1/2"	3/4"	1"	UNC1/4-20	1/2"	5/8"	
1"	1/2"	3/4"	1"	UNC5/16-18	5/8"		
1 1/4"	3/4"	1"		UNC1/4-20	1/2"		
1 1/4"	3/4"	1"		UNC5/16-18	5/8"		
1 3/8"	1"			UNC5/16-18	5/8"	3/4"	
1 1/2"	3/4"	1"		UNC5/16-18	5/8"		
1 1/2"	3/4"	1"		UNC3/8-16	5/8"		
1 9/16"	1"			UNC5/16-18	5/8"		
1 9/16"	1"			UNC3/8-16	5/8"		
2"	3/4"	1 5/8"	2"	UNC3/8-16	5/8"	1 1/8"	
2 7/16"	1 1/4"			UNC1/2-13	7/8"		
3 1/8"	2 1/4"			UNC1/2-13	1 1/4"		

**Appearance**

- Elastomer (default natural rubber, NK)**
  - Operation temperature -40 - +80 °C
  - Should not be used at oil, alkaline, acid
  - You can find other opportunities at the Elastomer
- Hardness (default 55 +/-5 Shore A)**
  - 43 (soft)
  - 55 (medium)
  - 72 (hard)
- Metal insert**
  - ST37 (galvanized, DIN EN 12329 – Fe//Zn12//C)
  - A2 (stainless, AISI 304)

**Use**

Perfect for absorbing vibration generated by pumps, fans, washing machines, electric engines, control cabinets and other industrial and agricultural equipments.

Advantages: easy to assemble, high flexibility, economy, longevity.

**Cylindrical bobbin**

1	Type
2	Diameter (d <sub>1</sub> ) [inch]
3	Height (h) [inch]
4	Thread size (d <sub>2</sub> )
5	Thread length (l) [inch]
6	Elastomer
7	Hardness
8	Metal quality

IG-4 1 - 1 UNC1/4-20x1/2 NK 55 +/-5 SH A, ST37