

HNG-U



HNG-L

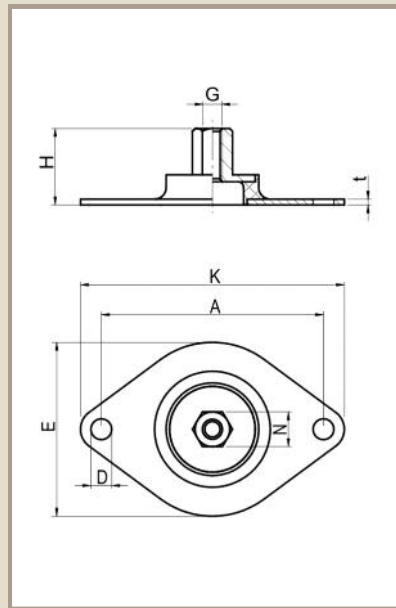
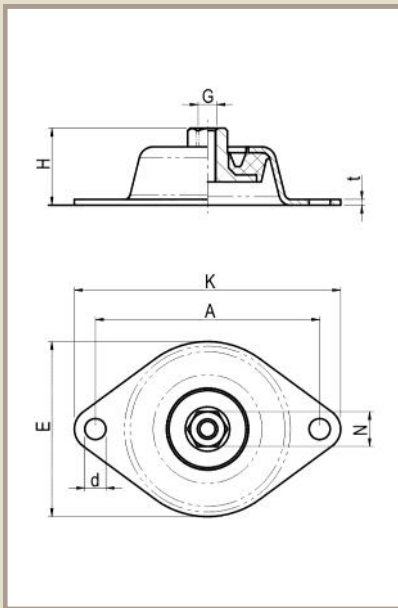


Galvanized

Stainless

-40 - +80 °C

RoHS



1

Item code	E	K	A	H	d	N	t	G	Weight [kg]	M <sub>max</sub> [N]		F <sub>max</sub> [N]	
										40 Sh	60 Sh	40 Sh	60 Sh
HNG-U	75	114	96	33	9	15	2,5	M8	0,15	14	25	30	70
HNG-L	75	114	96	33	9	15	2,5	M8	0,10	14	25	30	70

### Appearance

- Elastomer (default natural rubber, NK)**
  - Operation temperature -40 - +80 °C
  - Should not be used at oil, alkaline, acid
  - You can find other opportunities at the Elastomer

2

- Hardness (default 60 +/-5 Shore A)**

- 40 (soft)
- 60 (medium)

3

- Metal insert**

- ST37 (galvanized, DIN EN 12329 – Fe//Zn12//A)

4

### Use

The HNG vibration dampers protect the wall-mounted electric cabinets from the near by engine vibrations. It is perfect for the fixation to the wall-mounted fans and any other vibrant equipments. You can install the HNG-U equipments on the ceiling too.

### HNG hangable vibration damper

1 2 3 4  
HNG-U NK 60 +/-5 SH A, ST37

1	Item code
2	Elastomer
3	Hardness
4	Metal quality