

1

KRA-QP



1

KRA-1G



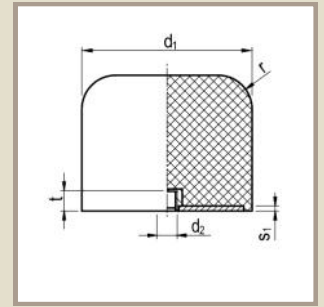
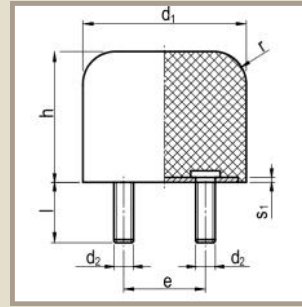
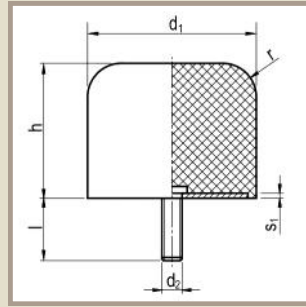
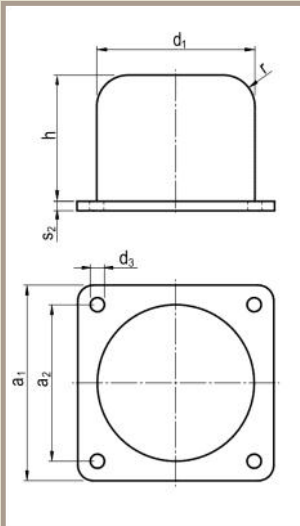
1

KRA-2G



1

KRA-1I



Galvanized

Stainless

-40 - +80 °C

RoHS

2

3

4

5

d <sub>1</sub>	h	d <sub>2</sub>	l	t	a <sub>1</sub>	a <sub>2</sub>	d <sub>3</sub>	e	s <sub>1</sub>	s <sub>2</sub>	r
40	32	M8	23	8	50	40	5,5	-	2	2	8
50	40	M10	28	10	63	50	6,5	-	2	3	10
63	50	M10	27	10	80	63	6,5	-	3	4	12
80	63	M12	37	12	100	80	9	-	3	5	18
100	80	M12	37	12	125	100	9	50	3	6	20
125	100	M16	36	16	160	125	11	63	4	6	25
160	125	M16	44	16	200	160	11	80	6	8	32
200	160	M20	44	20	250	200	13	100	6	8	40

### Appearance

- Elastomer (default natural rubber, NK)**
  - Operation temperature -40 - +80 °C
  - Should not be used at oil, alkaline, acid
  - You can find other opportunities at the Elastomer

6

- Hardness (default 70 +/-5 Shore A)**
  - 43 (soft)
  - 55 (medium)
  - 70 (hard)

7

- Metal insert**
  - ST37 (galvanized, DIN EN 12329 – Fe//Zn12//A)
  - A2 (stainless, AISI 304)
  - A4 (stainless, AISI 316)

8

### Use

We created the KRA products for crane buffers. They have got steep string characteristics. We have a wide range of these products with an affordable price.

### Crane buffer

1 2 3 4 5 6 7 8  
KRA-2G 100/80 M12x37 NK 70 +/-5 SHA, ST37

- 1 Product group
- 2 Diameter (d<sub>1</sub>)
- 3 Height (h)
- 4 Thread size (d<sub>2</sub>)
- 5 Thread length (l)
- 6 Elastomer
- 7 Hardness
- 8 Metal quality