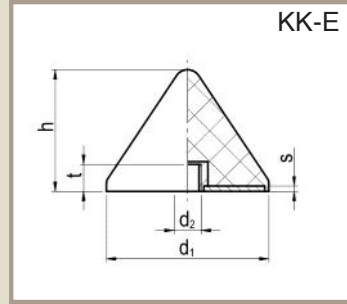
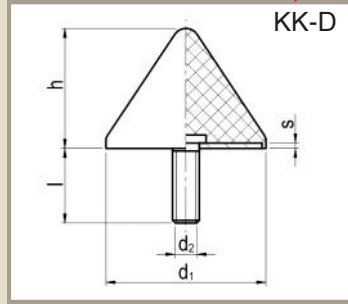


1



- Galvanized
- Stainless
- 40 - +80 °C
- RoHS

3

4

5

6

2

d ₁	h	d ₂	l	t	s	D	E
20	20	M6	18	6	2	•	•
24	17	M6	18	6	2	•	•
25	16	M8	25	8	2	•	•
25	18	M8	25	8	2	•	•
35	17	M8	25	8	2	•	•
40	30	M8	28	8	2	•	•
60	45	M10	28	10	2	•	•
85	65	M12	37	12	3	•	•

Appearance

- Elastomer (default natural rubber, NK)**
 - Operation temperature -40 - +80 °C
 - Should not be used at oil, alkaline, acid
 - You can find other opportunities at the Elastomer
- Hardness (default 55 +/-5 Shore A)**
 - 43 (soft)
 - 55 (medium)
 - 72 (hard)
- Metal insert**
 - ST37 (galvanized, DIN EN 12329 – Fe//Zn12//A)
 - A2 (stainless, AISI 304)
 - A4 (stainless, AISI 316)

Use

The conical vibration dampers were designed to have a progressive spring characteristic, so for the major moves have higher reaction time. The advantages are: easy to assemble, high efficiency, smooth end posting damping, affordable.

Conical vibration damper

1	Product group
2	Type
3	Diameter (d ₁)
4	Height (h)
5	Thread size (d ₂)
6	Thread length (l)
7	Elastomer
8	Hardness
9	Metal quality

KK-D 85/65 M16x41 NK 55 +/-5 SH A, ST37